

# UNIBLOC®-PD

## MINI PUMP

A  
3  
02-10



**FLOWTECH** DIV.  
UNIBLOC-PUMP, INC. USA

## APPLICATIONS

Introducing the world's smallest Positive Displacement Rotary Lobe Pump with Flowtech's **UNIBLOC®-PD 200 Series Pumps**. This pump is designed to meet today's requirements and specifications in food/beverage, filling and pharmaceutical bio/tech industries.

## DESIGN

The **UNIBLOC®-PD 200 Series** pumps were originally designed for the pharmaceutical industry and have since been used for a wide variety of other industries. Three different pump sizes are available using the same pump gearbox or power frame. The fully machined stainless steel gearbox is easy to clean and maintain and protects against corrosion. The streamlined and crevice free rotor housing allows for a CIP and/or SIP-able pump. The bi-wing rotor design reduces shear and pulsation of the product while maintaining accuracy of the flow. Multiple shaft seals are available without modifications to the rotor housing or shafts. Standard back cover allows for vertical or horizontal port orientation without pedestal. Certified pump test curve supplied with pump as standard.

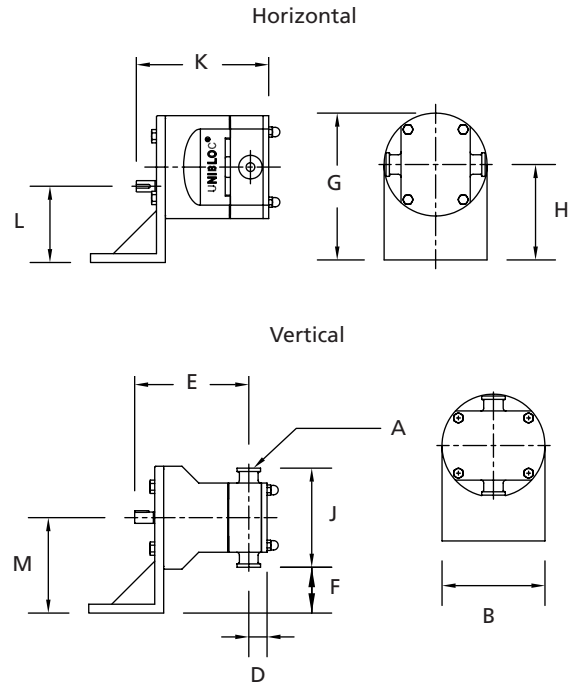
## MATERIALS

Fully machined stainless pump gearbox.  
 Sanitary Tri-Clamp Connections.  
 All wetted metal material in **316L stainless**.  
 All wetted seal elastomers in EPDM, Viton, or PTFE.  
 Single Mechanical, O-Lip or O-Ring shaft seals.

## OPTIONAL

- Mechanical polish of 15-25 Ra (0.4 - 0.6 micron,  $\mu\text{m}$ ) with **electropolish** ID Finish.
- **Hastelloy-C** and **AL6XN** wetted metal material
- All wetted Elastomers of **USP Class VI** material
- Rotors in Non-Galling stainless alloy or plastic.
- Jacketed Front Cover.
- Delivered as a stand alone unit, assembly with motor and stainless base or **LABTOP® Integrated Pump System**.
- Material test report available
- ATEX Rated Pumps Available

UNIBLOC is a registered trademark



Size	A	B	D	E	F	G
200	0.5"		0.79	4.80	1.93	6.10
250	.75"	4.33	0.87	5.04	1.93	6.10
275	1.0"		1.02	5.20	2.44	7.17
Size	H	J	K	L	M	Shaft
200	4.02	4.17	5.60	3.23	4.02	
250	4.02	4.17	5.91	3.23	4.02	0.47
275	4.02	5.12	6.22	3.23	4.02	

All dimensions in inches



\* 1cps (water at ambient temp)  
 Technical changes without notice



**Distributor:** C&C Hydraulics, LLC

77 S. 6th Street  
 Colbert, GA 30602  
 706-788-2082  
 706-788-2173 fax