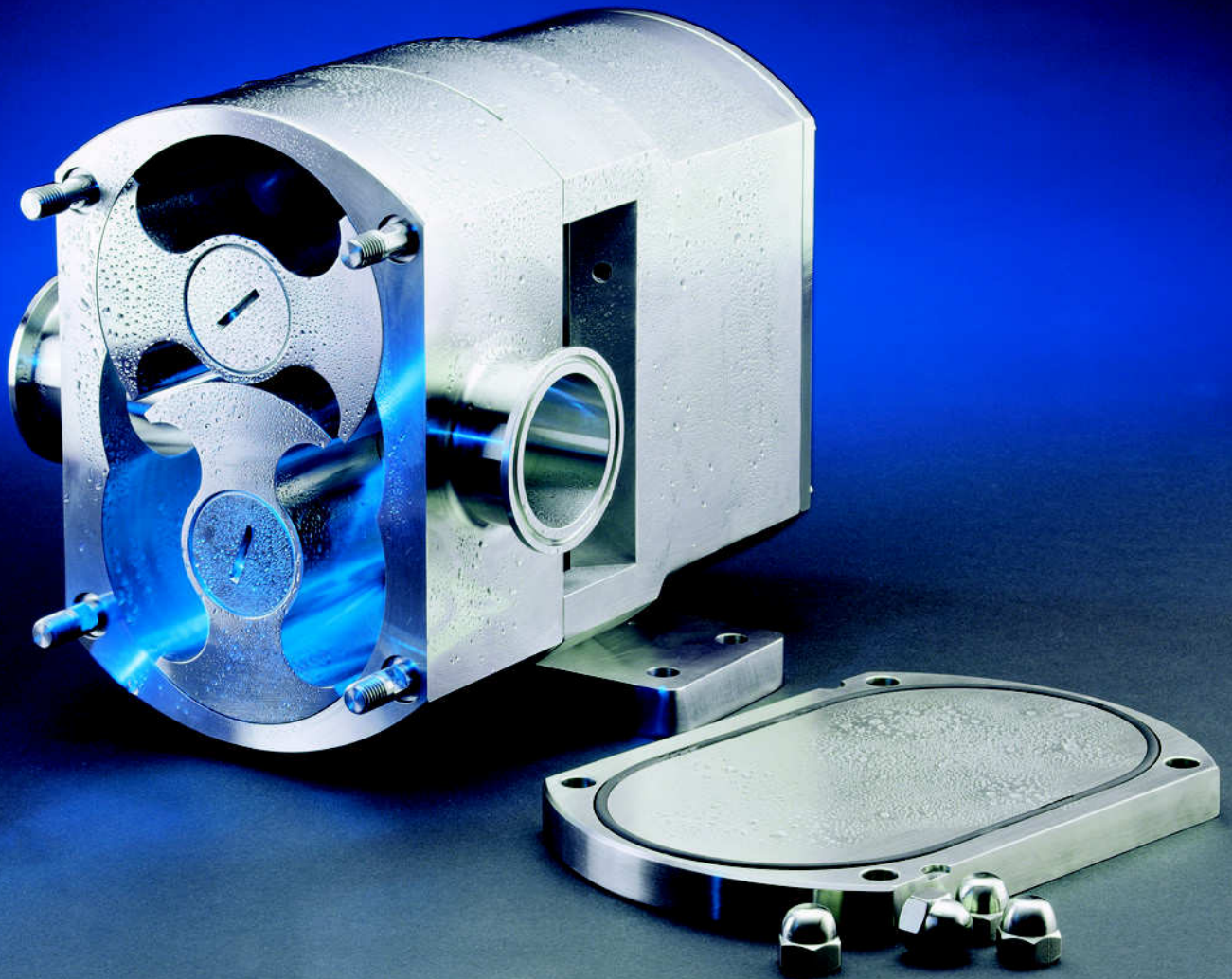


UNIBLOC[®]-PD

POSITIVE DISPLACEMENT PUMP

*TOMORROWS
FLOW TECHNOLOGY...
TODAY*



FLOWTECH DIV.
UNIBLOC-PUMP, INC. USA

VERSATILITY IN UNIBLOC®

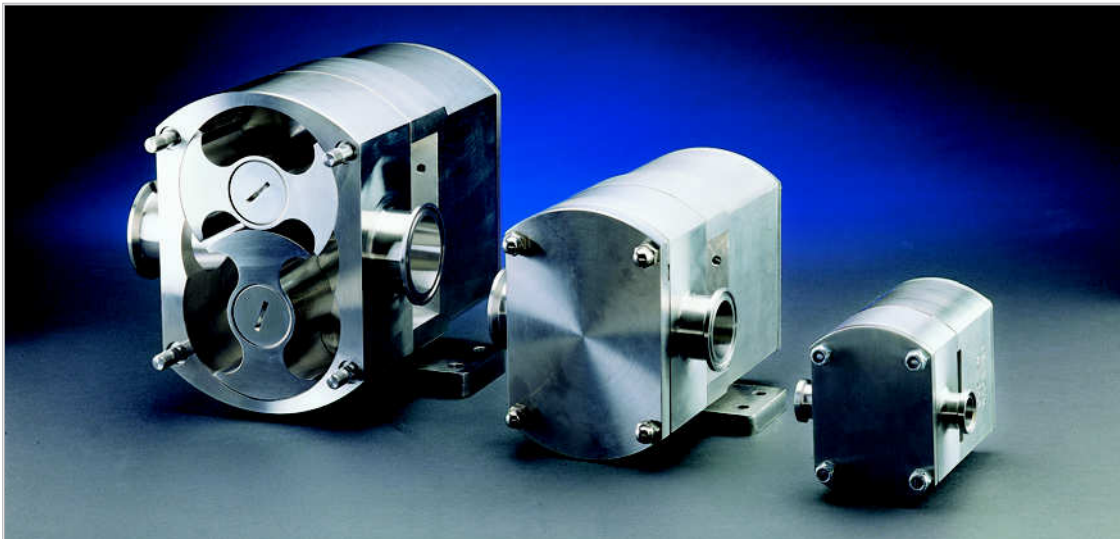
The most innovative and advanced PD-pump has been developed to meet tomorrow's needs expressed by today's users. The Unibloc® pumps both thin and thick liquids at a high rate of efficiency.

UNIBLOC®

Unibloc® is applicable in many industries, including pharmaceutical, food, beverage and bakery and is designed to conform to 3-A, USDA and FDA requirements. Each pump is available with several seal options without modifications to the rotor housing. Pumps with stainless rotors are CIP & SIP able.

UNIBLOC®

Unibloc® can be mounted with either **horizontal** or **vertical** through-put and operates equally well in **both directions**. Pump versions for **200 psig** are available.



ROTOR HOUSING

UNIBLOC's® large streamlined inlet & outlet ports allow for smooth and low shear product flow. The vertical through-put version lowers the NPSH to a minimum and allows for **self draining**. The flush and **cavity free front** cover prevents product build up and promotes cleanability. The ports are machined directly from the housing eliminating porosity concerns possible with welding.

ROTORS

The unique geometry of the rotors results in a non-pulsating flow. The rotor arch design produces a long sealing path which results in easier priming and reduces internal leakage. The unique rotor design, in combination with the rotor housing, minimizes cavitation risks. Large particles can also be pumped. **The rotors can only be mounted on the shaft one way.**

TEMPERATURES

Standard pumps are engineered for operation up to 250°F (121°C). With hot clearance rotors, the pump can perform up to 400°F (205°C).

SEALS

UNIBLOC® standard seals consist of single & double mechanical, O-ring seals and O-lip seals. All seal options are available with flush glands.

SHAFTS

The robust shafts are supported in the UNIBLOC® designed gearbox with TIMKEN® roller bearings.



GEARBOX

UNIBLOC's® uniquely engineered heavy duty gearbox design makes it the most service friendly available. The gearbox is **permanently lubricated** and high precision helical cut gears assure smooth and quiet operation.

UNIBLOC® 5000 SERIES FEATURES ALL STAINLESS STEEL COMPONENTS, INCLUDING THE GEARBOX AND FOOT, FOR TOTAL CLEANLINESS AND RUST PREVENTION.

Pump Size	Connection Inch	Capacity/100 rev.		Speed RPM	Max. GPM	Max LPM
		Gallon	Liter			
200	0.50	0.8	3.1	1000	8	31
250	0.75	1.1	4.2	1000	11	42
275	1.0	1.4	5.3	1000	14	54
300	1.0	2.8	10.6	1000	28	106
350	1.5	4.0	15.1	1000	40	151
400	1.5	8.1	30.7	900	73	276
450	2.0	10.9	41.3	900	98	371
500	2.5	22.1	83.6	800	177	670
550	3.0	28.5	107.9	800	228	863
575	3.0	36.1	136.6	600	217	820
575	4.0	36.1	136.6	700	253	958
600	4.0	46	174	600	276	1044
650	6.0	70	265	500	350	1825
675	8.0	100	378	500	500	1890

MATERIALS

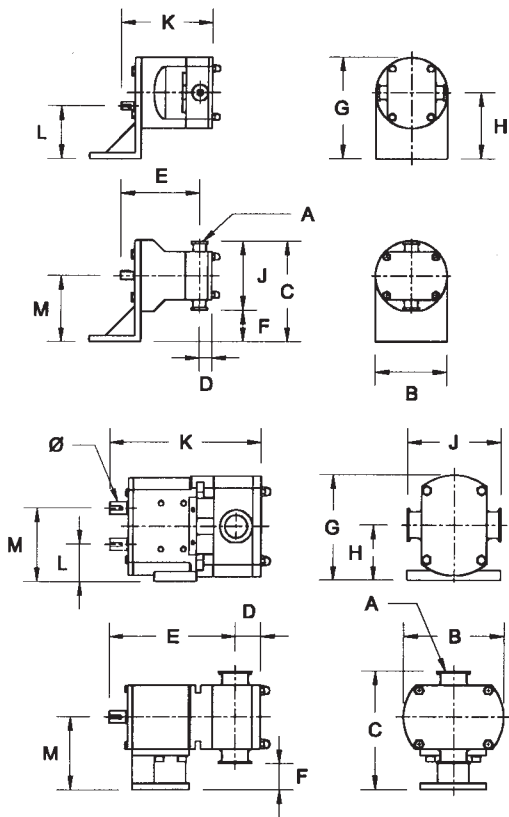
Standard materials are 316 or 316L non-galling stainless and non-metallic. **AL6XN** and **Hastelloy C** parts are available on request.

MAINTENANCE

The **UNIBLOC®** is engineered with little and easy maintenance in mind. **No special tools are needed.** Many parts are similar for several sizes of pumps. Automatic and accurate rotor timing has been engineered into the pump and parts fit only one way, the right way.

OPTIONAL

- Vented cover with various spring loads
- Aluminum or steel gearbox
- Heating or cooling jackets for front cover and rotor housing
- Electric, pneumatic or hydraulic drives
- Controllers for drivers
- Electropolishing/Mechanical Polishing
- ATEX Rated Pumps Available



SIZE	A	B	C	D	E	F	G	H	J	K	L	M	Ø
200	1/2"		6.10	0.79	4.80	1.93	6.10	4.02	4.17	5.60	3.23	4.02	
250	3/4"	4.33	6.10	0.87	5.04	1.93	6.10	4.02	4.17	5.91	3.23	4.02	0.47
275	1"		7.56	1.02	5.20	2.44	7.17	4.02	5.12	6.22	3.23	4.02	

SIZE	A	B	C	D	E	F	G	H	J	K	L	M	Ø
300	1"	6.06	7.24	1.26	7.52	1.57	6.38	3.35	5.67	8.78	2.24	4.41	0.75
350	1.5"			1.54	7.72					9.25			
400	1.5"	8.07	9.76	1.65	9.61	2.20	8.46	4.45	7.56	11.2	2.91	5.98	0.94
450	2"			1.97	9.84					11.8			
500	2.5"			2.36	13.0					15.4			
550	3"	11.5	13.3	2.68	13.3	3.07	11.8	6.02	10.2	16.0	3.86	8.19	1.65
575	3"			2.91	13.9					16.8			
575	4"			2.91	13.7					16.8			
600	4"			4.83	22.6					26.8			
650	6"	17.3	22.5	5.31	23.6	3.6	17.5	8.9	17.1	28.9	5.5	12.8	2.76
675	8"			6.30	24.6					30.9			

* ALL DIMENSIONS IN INCHES; TRI-CLAMP ENDS SHOWN.

WARRANTY

Available at our distributors.

We reserve the right to technical changes without notice, including orders received. ® = Registered Trademark. Patents pending.

Distributor:

C&C Hydraulics, LLC
 77 S. 6th Street
 Colbert, GA 30602

706-788-2082
 706-788-2173 fax

www.candhydraulics.com